



**Control Tak**

tel : 021-66479486

کنترل تک پیشرو در صنعت ابزار دقیق

## Cim 74A

BRONZE OBLIQUE STRAINER - PN 20

valve  
**cimberio**<sup>®</sup>



This article was made in compliance with the quality management requirements of ISO 9001 standard. All articles are tested according to the EN 12266-1 standard.

It can be used for filtration in heating, water, sanitary, pneumatic, oil, gasoline and saturated steam systems, and generally with any non corrosive liquid.

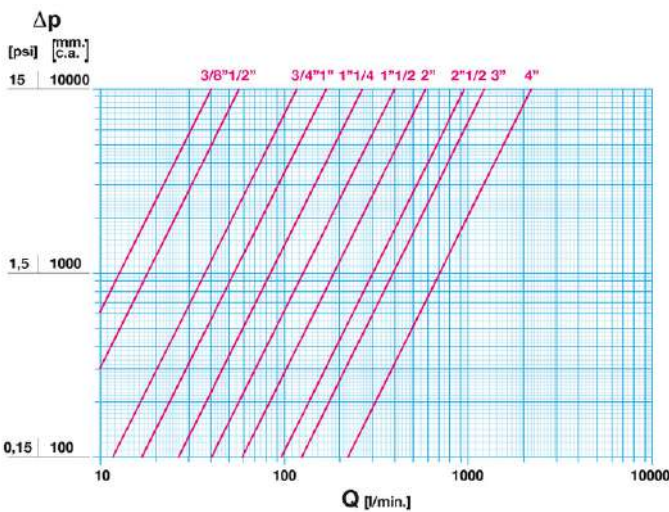
It is guaranteed for 5 years.

It is made of a bronze alloy that complies with standard EN 1982-CC491K.

Nominal Pressure: PN 20

Operating temperature: -10 ÷ 180°C

### FLOW AND PRESSURE DROP



Notes:  
1 l/min = 0,06 m3/h  
1 m3/h = 16,67 l/min  
1 bar = 10.000 mm w.c.  
1 psi = 690 mm w.c.

cav. uff.  
**GIACOMO CIMBERIO**  
s.p.a.

### PRESSURE TEMPERATURE RATINGS



Notes:  
1 bar = 14,5 psi  
1 bar = 14,5 lbf/in<sup>2</sup>  
°C = 5/9 x (°F-32)  
°F = 32 + (9/5 x °C)

شرکت فنی مهندسی کنترل تک فعال در زمینه ی فروش ، مشاوره فنی رایگان و آموزش ابزار دقیق

Controltak@Gmail.com

WWW.CONTROLTAK.COM

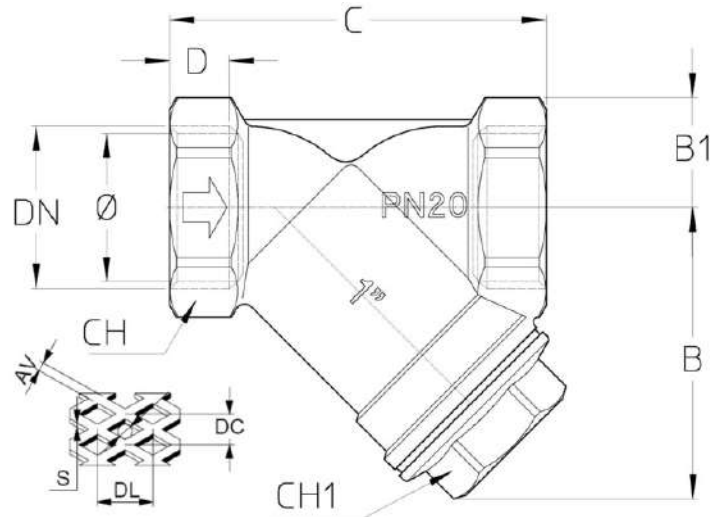
@ControlTak تلگرام

Control-Tak اینستاگرام

02166479486

تماس : 09190345384

## TECHNICAL DRAWING



DN	3/8"	1/2"	3/4"	1"	1"1/4	1"1/2	2"	2"1/2	3"	4"
Φ mm	10	15	20	25	32	40	50	70	80	100
<b>Grms.</b>	<b>190</b>	<b>200</b>	<b>300</b>	<b>460</b>	<b>780</b>	<b>1000</b>	<b>1860</b>	<b>2620</b>	<b>4200</b>	<b>7550</b>
B	39	41	48,5	60	73	81	100	114	137	167
B1	13	16	19	23	28,5	31,5	39,5	49	58	73,5
C	55	59	68	76	92	100	125	148	175	217
D	10	11	11	13,5	15	15	19	22	22	28
CH	23	28	34	41	51	56	71	87	102	129
CH1	18	18	22	29	34	39	55	65	75	85
Φ h μ	650	650	650	650	650	650	650	800	800	800
N°	52	52	52	52	52	52	52	40	40	40

Thread:  
ISO 228

Upon request:  
ANSI B.1.20.1 - NPT

## TECHNICAL CHARACTERISTICS

KV										
DN	3/8"	1/2"	3/4"	1"	1"1/4	1"1/2	2"	2"1/2	3"	4"
KV	2,4	3,4	7	10	16	24	35	57	73	132

KV = Flow rate in m<sup>3</sup>/h with a pressure drop of 1 bar

### REACH Regulation

According to article 33 of REACH Regulation, we inform you that the components made of bronze and brass alloys that are parts of the articles we supply, contain the lead (as alloy component) in a higher quantity of the limit of 0,1% in weight. Lead has been inserted in the list of SVHC substances nominated for the authorisation process, in the updating published by the European Chemical Agency ECHA on 27th June 2018. Lead has been introduced with the following information:

- Substance: Lead
- CAS: 7439-92-1
- EC: 231-100-4
- List: SVHC
- Data of Inclusion: 27<sup>th</sup> June 2018

Since lead is an element of the alloy, no exposure is expected and consequently, no further information is requested for the safe use of this product.

The list is available at the following link: <https://echa.europa.eu/it/candidate-list-table> and since it is a continuously updated list, we declare the constant monitoring about insertion of new substances and the prompt on time information to our customers in case such substances should be contained in the products we supply.

شرکت فنی مهندسی کنترل تک فعال در زمینه ی فروش ، مشاوره فنی رایگان و آموزش ابزار دقیق

Controltak@Gmail.com

WWW.CONTROLTAK.COM

@ControlTak تلگرام

اینستاگرام Control-Tak

تماس : 02166479486 09190345384